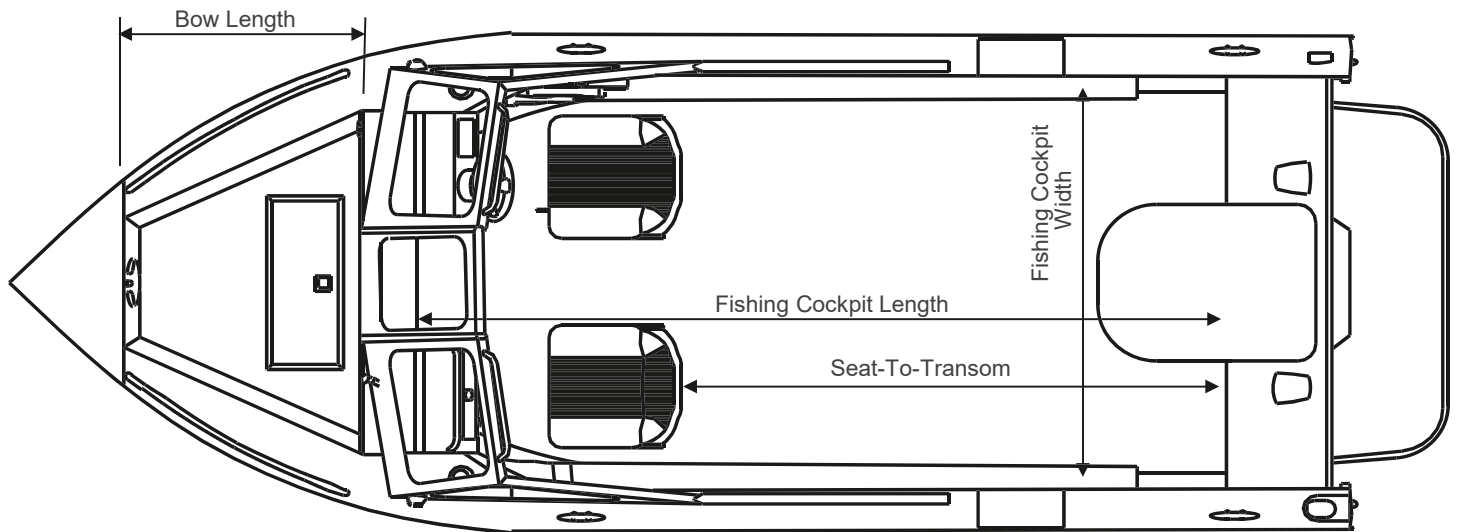


RIVER RUNNER



MEASUREMENT	180 RR	200 RR
Length	18' 2"	20' 2"
Total length	18' 2"	20' 2"
Beam (in)	86	86
Dead Rise: Forward X Amidship X Aft (degrees)	31 X 11 X 10	31 X 11 X 10
Bottom Dimensions: Thickness X Width (in)	0.19 X 66	0.19 X 66
Side Dimensions: Thickness X Height (in)	0.1 X 29	0.1 X 29
Transom Dimensions: Width X Height (in)	85 X 20.5	85 X 20.5
Person Capacity: Quantity X Weight (lbs)	5 X 825	7 X 1155*
Maximum Fuel Capacity (gal)	34	43
Maximum Horsepower (HP)	250	250
Maximum Capacity (lbs)	1008	1252*
Boat Dry Weight (lbs)	1950	2100
Fishing Cockpit: Width X Length (in)	70 X 129.5	70 X 150
Seat-to-Transom: Length (in)	90.5	111
Bow Length (in)	39	39

* Recommendations only for boats over 20'

NOTE: Measurements are approximations only. Variations will occur due to tolerances in manufacturing